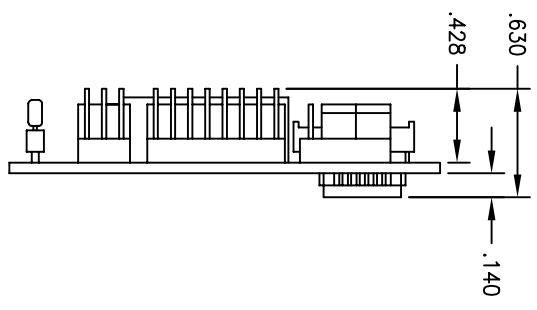
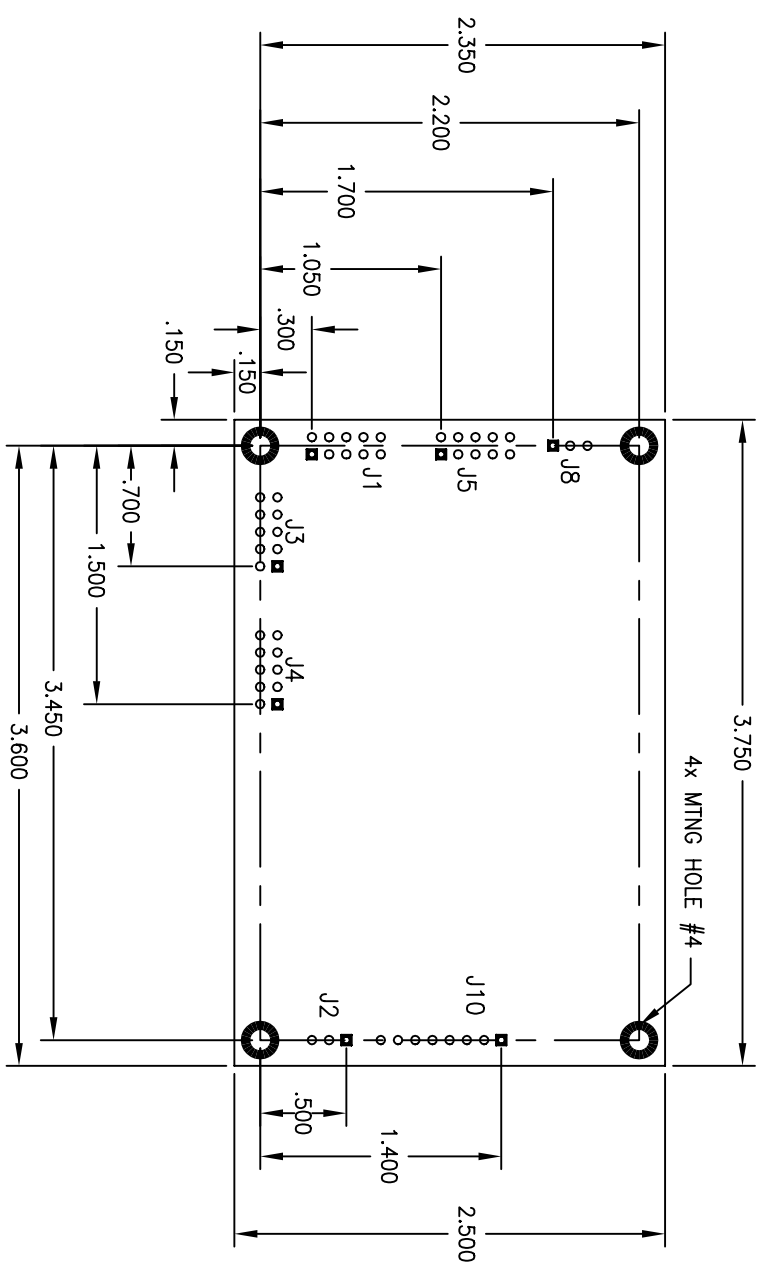


THIRD ANGLE PROJECTION



DWG NO. 60-0009 SH1 1 OF 1

THIS DRAWING IS PROTECTED BY US AND FOREIGN PATENT LAWS AND IS THE PROPERTY OF MICROSYSTEMS CORPORATION. IT IS ALSO A TRADE SECRET OF MICROSYSTEMS CORPORATION AND WILL BE KEPT AS SUCH. IN THE EVENT OF MANUFACTURE OF THIS DRAWING BY AN INDEPENDENT CONTRACTOR, THE CONTRACTOR SHALL BE RESPONSIBLE FOR PROTECTING THIS DRAWING AS A TRADE SECRET OF MICROSYSTEMS CORPORATION.

TOLERANCES UNLESS OTHERWISE SPECIFIED DIMENSIONS ARE IN INCHES[MILLIMETERS]		
XX ± .02	ANGLES ± .05°	
XXX ± .010	FRACTIONS ±	
XXXX ± .0050		
DO NOT SCALE DRAWING		
SURFACE FINISH: REMOVE ALL BURRS AND SHARP EDGES		
REV	DATE	BY
B	5/6/99	EW
A	3/8/99	EW
REVISION RECORD		
PRELIMINARY RELEASE		

DRAWN	EW	SCALE	NONE	MAT'L:	
CHKD				FINISH:	
APPROVAL				TITLE:	MECHANICAL DRAWING
DATE	8 MAR 99				uFlashTCP
MODEL					
JK		SIZE	B	DWG NO	60-0009
microsystems				SHEET	1 OF 1
CALIFORNIA, USA - http://www.amt.com					