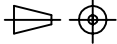
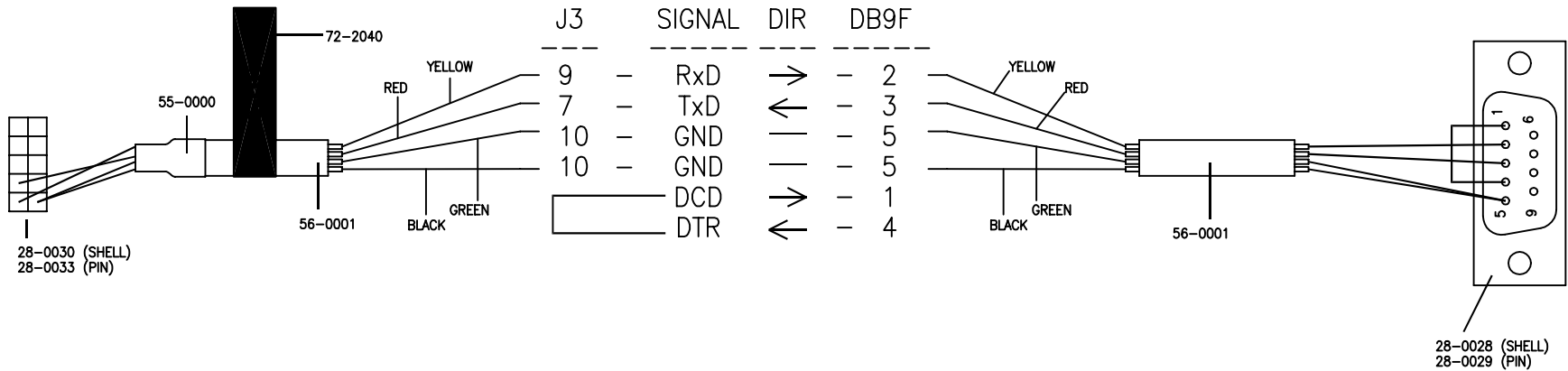


THIRD ANGLE PROJECTION



DWG NO
86-0040

SHT 1
OF 1



BILL OF MATERIALS

QTY	PART NO.	DESCRIPTION
74 INCH	56-0001	Cable
3	28-0030	Connector Shell 2x5
3	28-0033	Pin for 28-0030
1	28-0028	Housing DB9 Female
5	28-0029	Pin for 28-0028
1	28-0034	Housing DB9
.75 INCH	55-0000	Heat Shrink Tubing 1/4"
1	72-2040	Part Number Label

THIS DRAWING IS PROTECTED BY US AND OTHER COPYRIGHT LAW AND IS THE SOLE PROPERTY OF JK microsystems. IT IS ALSO A TRADE SECRET OF JK microsystems AND IS TO BE USED ONLY FOR INFORMATION IN THE USE OR MANUFACTURE OF JK microsystems PRODUCTS.

CABLE FOR CONNECTING THE picoFlash CONTROLLER DEBUG PORT (J3) TO A PC.

				TOLERANCES UNLESS OTHERWISE SPECIFIED DIMENSIONS ARE IN INCHES[MILLIMETERS]	MAT'L:	
				.XX ± .02 ANGLES ± .05°	DRAWN EW FINISH:	
				.XXX ± .010 FRACTIONS ±	CHKD SCALE NONE TITLE:	
				.XXXX ± .0050	APPROVAL	
				DO NOT SCALE DRAWING	DATE	
				SURFACE ROUGHNESS	MODEL JK microsystems SIZE DWG NO	
A	FIRST ISSUE	18MAR04	EW		A	86-0040 SHT 1 OF 1
REV	REVISION RECORD	DATE	BY	REMOVE ALL BURRS AND SHARP EDGES	FILE: 86-0040.DWG	DAVIS, CALIFORNIA - http://www.jkmicro.com